



Installation and User Manual

Thermostatic Heating Element



Please unpack your delivery carefully and inspect the radiator and contents – any damages or shortages must be notified to your supplier **within 3 days of delivery** of your goods.

Safety & Warnings



Before you begin installation, setup or operation of the unit, please read all of these instructions carefully. Please note all signs, notices and technical information. All instructions to be followed in full.

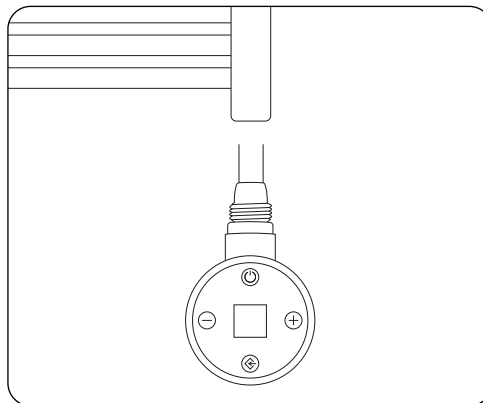
- Electric Towel Rails must be installed by a licensed electrician in accordance with the current IEE wiring regulations.
- The product should be permanently fixed and connected to the 220/240 Volt AC mains power supply via a fused spur/cable outlet, and earth bonded .
- **This product is a Class 1 unit and as a result it must be earth connected.**
- The element must NEVER be used without the towel rail being filled with water or fluid at correct fluid level.
- Only use the device in a suitable towel rail, for space heating and/or towel drying.
- This element should be mounted vertically and in the BOTTOM of the towel rail only.
- It is imperative that you have the correct fluid level (90% fluid of towel rail total volume is recommended) in the towel rail before the element is used.
- A Never attempt to disconnect the control unit from the heating element. It is a unit that was factory-sealed. The separation and attempt of separation can lead to the destruction of the whole device and invalidates all claims under warranty or liability.
- Be ensuring the O-ring is on the connection part before installation. This o-ring is preventing the leakage after installation.
- The appliance is not a toy for children.
- The unit is not to be used by persons (including children) with reduced physical, sensory or mental capabilities, only use if they are supervised by a competent person.

Installation Instructions

Installation of the Element into the Towel Rail

The heating element can be used as a electric heater in a sealed towel rail or as a summer element in a towel rail that has also been plumbed into the central heating system, if the latter is the case that the element will be used in conjunction with a central heating system.the element will need to be fitted with a conversion tee, as below.

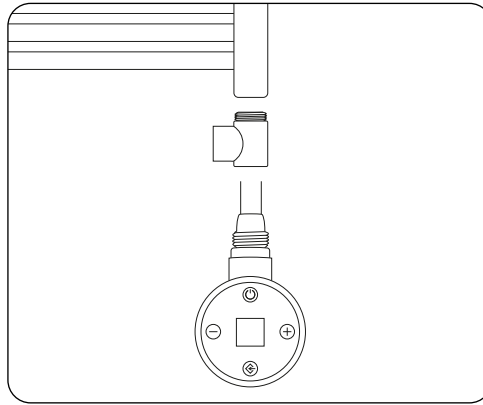
'Electric Only' Heating Element Installation:



- 1. IMPORTANT.** Always switch off the electricity supply at the mains during installation and maintenance. We recommend that the fuse is withdrawn or circuit breaker switched off at the distribution board whilst work is in progress.
- 2.** The element must be fitted to the radiator before mounting the radiator to the wall.
- 3.** Wrap P.T.F.E tape around the element thread and the blanking plug thread.
- 4.** Check that the o-ring is present on the threaded end of the element.
- 5.** Insert the electric heating element into the chosen side of the towel radiator, bottom only, and tighten it into place using a spanner.
- 6.** Fill the radiator to approximately 90% with water to allow for expansion.
- 7.** Insert the blanking plug into the open tapping, and tighten it into place using a spanner
- 8.** Fit the radiator to the wall, following the radiator fitting instructions
- 9.** Connect the element to the mains power using a BS Fused Connection Unit. The wires should be connected as follows: Blue - NEUTRAL, Brown - LIVE, GreenNellow - EARTH

Installation Instructions

'Dual-Fuel' Installation Central Heating and Electric Element:

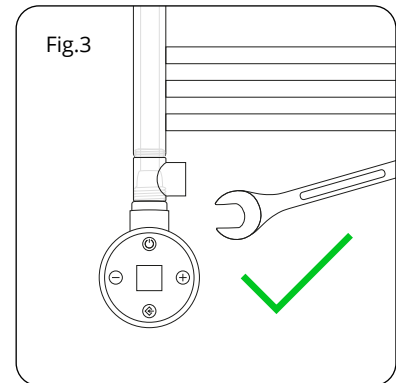
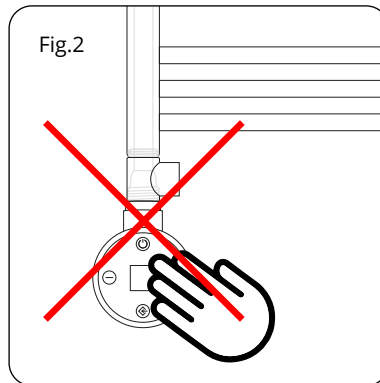
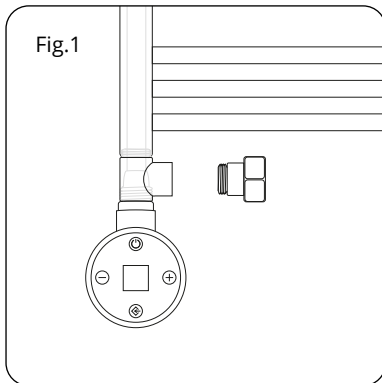


- 1. IMPORTANT.** Always switch off the electricity supply at the mains during installation and maintenance. We recommend that the fuse is withdrawn or circuit breaker switched off at the distribution board whilst work is in progress.
- 2.** The element must be fitted to the radiator before mounting the radiator to the wall.
- 3.** Wrap P.T.F.E tape around the element thread and the T-Piece thread.
- 4.** Check that the a-ring is present on the threaded end of the element.
- 5.** Screw the element into the T-Piece and tighten it into place with a spanner.
- 6.** Insert the T-Piece with electric element into the chosen side of the towel radiator and tighten into place using a spanner.
- 7.** Follow the towel radiator fitting instructions.
- 8.** You must make absolutely certain that the system is THOROUGHLY flushed with a flushing agent before it is commissioned, to rinse out any metal, flux and foreign residue and the system must also be thoroughly vented. Not doing this can cause pinhole leaks (which may not be covered under the manufacturer's guarantee).
- 9.** Open the valves to the radiator and, using the air vent, fill and purge the remaining air from all radiators, including the decorative or towel radiator with the heating system off.
- 10.** Connect the element to the mains power using a BS Fused Connection Unit. The wires should be connected as follows: Blue - NEUTRAL, Brown- LIVE, GreenNellow - EARTH.
- 11.** The Fused Connection Unit should be fitted with a 5 Amp fuse to BS1362.
- 12.** Switch on mains supply and test. (NB Remembering that the element should NOT be used when the central heating is on). The radiator should heat up.
- 13.** Check for leaks and re-tighten joints as necessary.



Installation Instructions




Warning! The heater is only suitable for VERTICAL installation on the BOTTOM of the Towel rail. Do not install horizontally, as correct operation cannot be guaranteed. Never tighten using the housing itself (Fig.2), always use the correct tools (Spanner) (Fig.3).








Operation Instructions

1. **Switch on:** Press button , the device will begin to work.
2. **Switch heating mode:** Pushing button , it will begin the constant heating mode.

While pushing  button, it will switch to boost TIMER mode of 2 and 4 hours.

Constant heating mode: When the device switch ON, the Temperature selection is made by the +/- buttons on the control unit in 5 °c increments between 30 °C and 70 °C . For example:

Timer mode: Pushing  button, the device will enter 2/4H heating mode, it will work as 2 hours as boost. Pushing button  again, it will work as 4 hours as boost. The screen will show as **2H** or **4H** . After 2/4 hours or pushing button  during forced heating process, it will go back to original mode.

3. **Switch off:** press button , the device will be off 
4. **Protective shutdown (Error):** Temperatures measured above 120 °C or below -25 °C by the thermostat, it will switch the unit into a default mode: **Er**

Terms and Conditions

You must immediately remove all packaging, inspect the goods and notify us of any damage to the goods within 3 days of delivery. We shall have no obligation to replace or repair damaged goods in the event of failure by the Buyer to comply with this provision. Radiators which are off an unacceptable standard or are damaged must not be installed. If any items is installed it will be treated as being as accepted as received.

Damaged goods being returned will only be collected from your delivery address, unless otherwise agreed in writing. Any other goods, which we accept back, are to be returned by you to our place of business at your expense.

Items will be accepted as a return which have not been installed or damaged after delivery. We do not accept liability for any damages sustained after delivery. Goods should be returned in their original packaging, provided such packaging and goods are undamaged.

We may issue a credit note for goods which we accept as returned.

We may agree to provide you with replacement goods prior to collecting or receiving back the goods to be returned (whether faulty, damaged or otherwise) but only on the condition that: the replacement goods are paid for in full and we reserve the right to re-invoice you in the event that the returned goods are found to be in a worse condition than when they were originally received by you or where such goods have not been received back to us within 3 months of the replacement goods being received by yourselves. A re-stocking charge of 30% will be applied to all non-faulty stock items that wish to be returned. Special order and non-stock products cannot be cancelled. Where cancellation or alteration of orders is accepted by us, you may be required to pay a restocking charge, to cover administrative costs and collection costs (if applicable); such charges to be determined by us. If the goods we deliver are faulty or damaged, we will meet the cost of the return, as long as the fault is reported to us within 3 working days.

The goods will be deemed to have been accepted when they have been delivered and we may not accept claims for any visible defects found after installation.

We accept no liability for any cost incurred relating to the cost of installation.

We shall not be liable for any plumber's costs, decorator's costs, transport costs, late penalties, or any other costs, as a direct or indirect result of (i) any defect in the goods (including but not limited to any manufacturing faults, such as leaks, that become apparent on or after installation) or (ii) late delivery of the goods.

GUARANTEES AND LIABILITIES – we are not the manufacturer of this product we will take all reasonable endeavours to make over to you the benefit of any warranty or guarantee given by the manufacturers. The item must have been fitted in accordance with British and or European standards as well as these fitting instructions.

