



HOCKWOLD

(Image shown: Finished in Chrome)



CRANWICH

(Image shown: Finished in Chrome)



MATERIAL
Brass



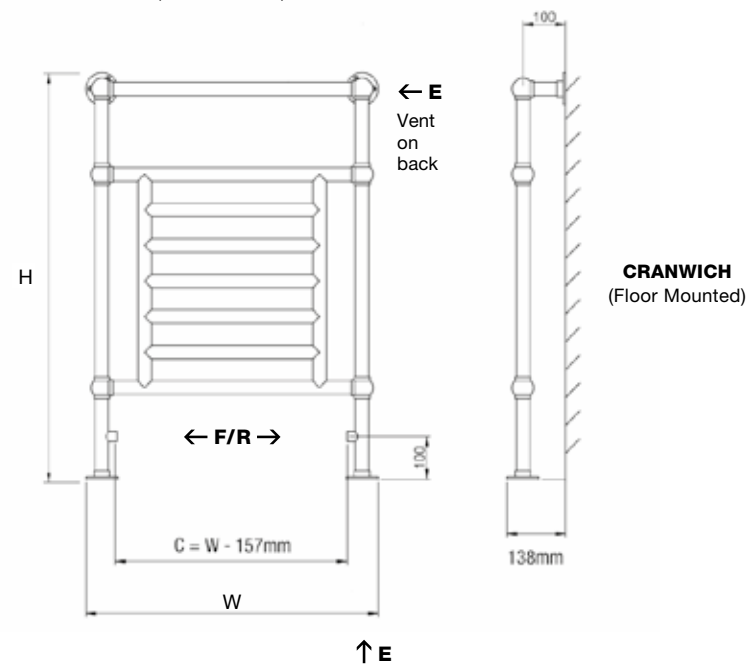
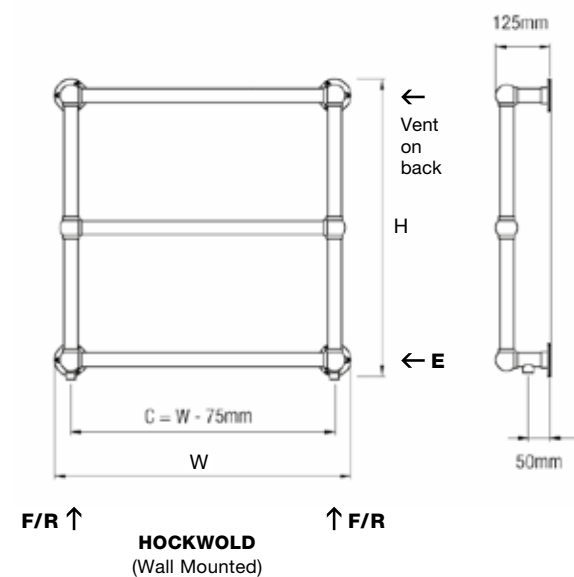
DELIVERY
5-7 weeks



5 YEAR GUARANTEE



FOR MORE INFORMATION
including fitting instructions, visit our website or scan the QR code



TECHNICAL INFORMATION

STANDARD CONNECTIONS 1/2"

F = Flow **R** = Return **E** = Element Position

TUBE DIAMETER

= 31.8mm



Concealed element on dual fuel and electric floor standing towel rails.

MODEL	HEIGHT (mm)	WIDTH (mm)	WATTS Δt 50°C	BTUs Δt 50°C	ELECTRIC ELEMENT WATTAGE	CHROME (inc VAT)	POLISHED NICKEL BRUSHED NICKEL POLISHED BRASS (inc VAT)	POLISHED GOLD ANTIQUE BRASS (inc VAT)
HOCKWOLD - WALL MOUNTED								
Hockwold-0 W	685	475	154	525	100	£1,118.40	£1,449.60	£1,693.20
Hockwold-1 W	685	685	188	642	100	£1,153.20	£1,497.60	£1,726.80
Hockwold-2 W	685	837	213	728	150	£1,188.00	£1,544.40	£1,764.00
Hockwold-3 W	685	989	239	814	150	£1,224.00	£1,593.60	£1,803.60
CRANWICH - FLOOR MOUNTED								
Cranwich-1	952	685	327	1115	100	£1,250.40	£1,645.20	£1,974.00
Cranwich-2	952	837	380	1295	150	£1,383.60	£1,858.80	£2,074.80
Cranwich-3	952	989	432	1475	150	£1,550.40	£2,074.80	£2,263.20

* 5-7 weeks delivery

FOR AVAILABLE FINISHES SEE PAGE 129

VALVES & ACCESSORIES (please see pages 138-148)

TRADITIONAL VERSIONS: Electric option + £322.00 / Dual Fuel option + £259.00 / Element Cover + £215.00

LUXURY

Handmade Traditional Towel Rails



HOCKWOLD



CRANWICH