



ASHILL
(Image shown: Finished in Chrome)



ICKBURGH
(Image shown: Finished in Chrome)

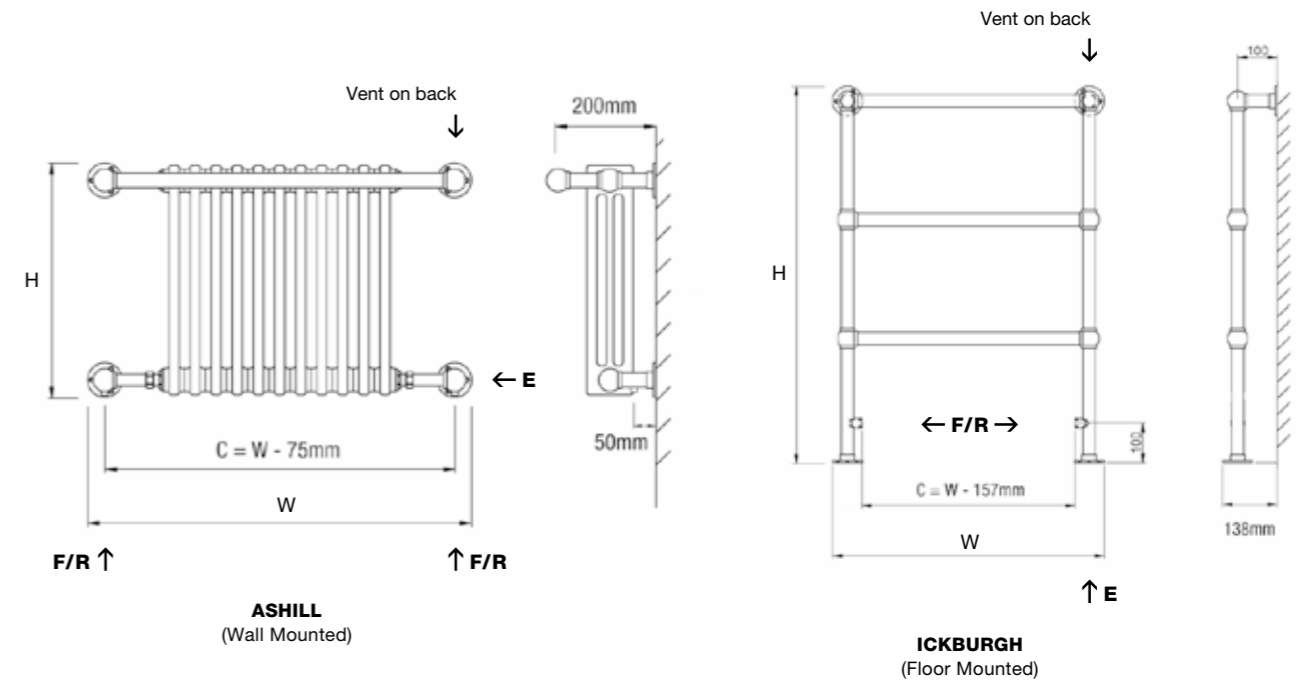
MATERIAL
Brass (Mild Steel
radiator inserts)

DELIVERY
5-7 weeks

**5 YEAR
GUARANTEE**

FOR MORE INFORMATION
including fitting instructions, visit
our website or scan the QR code

TECHNICAL INFORMATION
STANDARD CONNECTIONS 1/2"
F = Flow **R** = Return **E** = Element Position
TUBE DIAMETER
= 31.8mm



MODEL	HEIGHT (mm)	WIDTH (mm)	WATTS Δt 50°C	BTUs Δt 50°C	ELECTRIC ELEMENT WATTAGE	CHROME (inc VAT)	POLISHED NICKEL BRUSHED NICKEL POLISHED BRASS (inc VAT)	POLISHED GOLD ANTIQUE BRASS (inc VAT)
ASHILL - WALL MOUNTED								
Ashill-1 W	505	500	343	1171	300	£1,038.00	£1,305.60	£1,716.00
Ashill-2 W	505	685	524	1787	450	£1,112.40	£1,369.20	£1,803.60
Ashill-3 W	505	837	645	2199	450	£1,168.80	£1,449.60	£1,863.60
ICKBURGH - FLOOR MOUNTED								
Ickburgh-1	952	500	180	616	100	£1,108.80	£1,449.60	£1,773.60
Ickburgh-2	952	685	211	721	100	£1,112.40	£1,497.60	£1,797.60
Ickburgh-3	952	837	235	803	100	£1,146.00	£1,544.40	£1,858.80
Ickburgh-4	952	989	261	890	150	£1,182.00	£1,593.60	£1,917.60

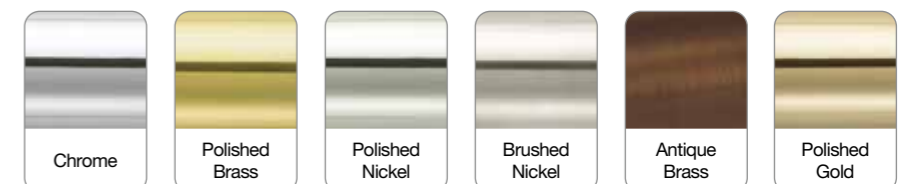
* 5-7 weeks delivery

VALVES & ACCESSORIES (please see pages 138-148)

TRADITIONAL VERSIONS: Electric option + **£322.00** / Dual Fuel option + **£259.00** / Coloured Radiator Insert + **£252.00** / Element Cover + **£215.00**

STANDARD WHITE RADIATOR INSERTS ARE RAL 9016

Available in the following finishes:



LUXURY
Handmade Traditional Towel Rails



ASHILL



ICKBURGH