



HUNGERFORD



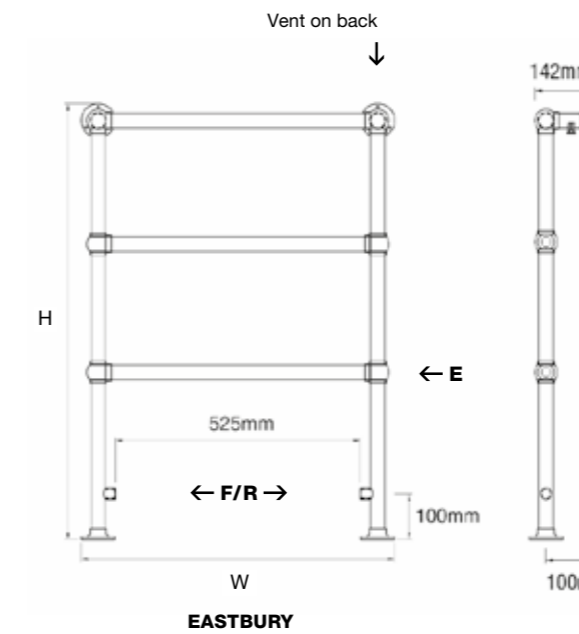
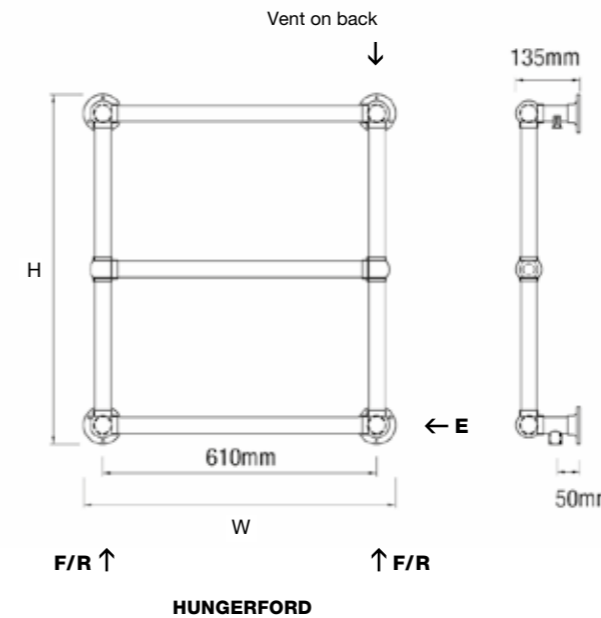
EASTBURY

MATERIAL
Mild steel

DELIVERY
Next working day

5 YEAR GUARANTEE

i FOR MORE INFORMATION
including fitting instructions, visit our website or scan the QR code



TECHNICAL INFORMATION
STANDARD CONNECTIONS 1/2"
F = Flow R = Return E = Element Position
TUBE DIAMETER
= 31.8mm



MODEL	HEIGHT (mm)	WIDTH (mm)	WATTS Δt 50°C	BTUs Δt 50°C	ELECTRIC ELEMENT WATTAGE	CHROME (inc VAT)	WEIGHT (kgs)
HUNGERFORD							
Hungerford	685	685	137	467	150	£342.00	15
EASTBURY							
Eastbury	952	680	145	494	150	£414.00	16

* Next working day delivery

VALVES & ACCESSORIES
(please see pages 138-148)

ADDITIONAL EXTRAS:
Electric option with Essential Element + **£144.00**
Dual Fuel option with Essential Element + **£81.60**
Electric option with MEG Thermostatic Element + **£261.60**
Dual Fuel option with MEG Thermostatic Element + **£156.00**

Available in the following finish:



ESSENTIAL
Traditional Towel Rails

