

MAIN AND INSET IMAGE: Shown in Polished Stainless Steel with Jupiter Angled Valves in Brushed Nickel



MATERIAL
Stainless steel
Grade 304

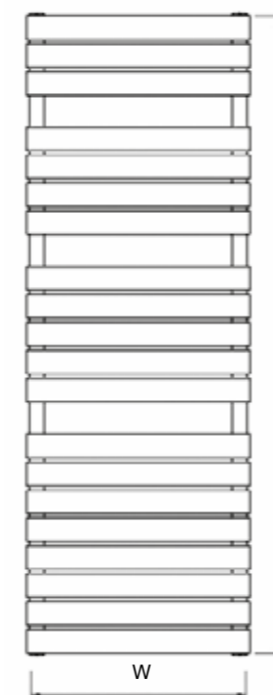
DELIVERY
All Items in bold
next working day

25 YEAR
GUARANTEE

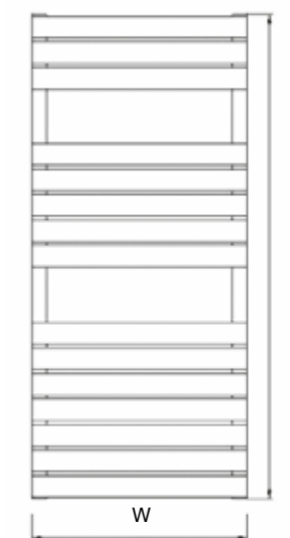
i FOR MORE INFORMATION
including fitting instructions, visit
our website or scan the QR code

TECHNICAL INFORMATION
STANDARD CONNECTIONS 1/2"
F = Flow **R** = Return **P** = Plug **V** = Vent

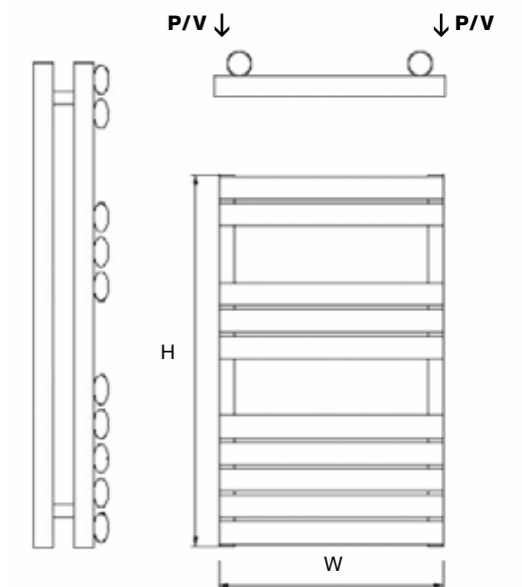
Wall to front face = 90-95mm
Wall to pipe centre = 50-55mm



H150 - 20 tubes



H120 - 15 tubes



H80 - 10 tubes

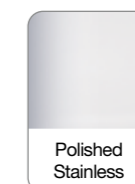
MODEL	HEIGHT (mm)	WIDTH (mm)	PIPE CENTRES (mm)	WATTS Δt 50°C	BTUs Δt 50°C	ELECTRIC ELEMENT WATTAGE	POLISHED STAINLESS (inc VAT)	RAL COLOUR / FINISHES (inc VAT)	WEIGHT (kgs)
Cove STR50/80	826	500	450	410	1399	600	£482.40	£624.00	10
Cove STR50/120	1120	500	450	550	1877	900	£597.60	£776.40	13
Cove STR50/150	1535	500	450	700	2388	900	£826.80	£1,074.00	16

* All items in bold - next working day delivery * All items not in bold - 7-10 working days delivery

VALVES & ACCESSORIES
(please see pages 138-148)

Available in the following finishes:

ADDITIONAL EXTRAS:
Electric Version (Essential Element) + **£144.00**
Dual Fuel Version (please add price of correct size element from Accessories pages)
Verso Hook in White or Chrome + **£25.20**



COVE STR

