

MAIN IMAGE: Shown in Infinity Steel with Jupiter Angled Valves in Brushed Nickel
 INSET IMAGE: Shown in White RAL 9016



MATERIAL
Mild steel

DELIVERY
All Items in bold next working day

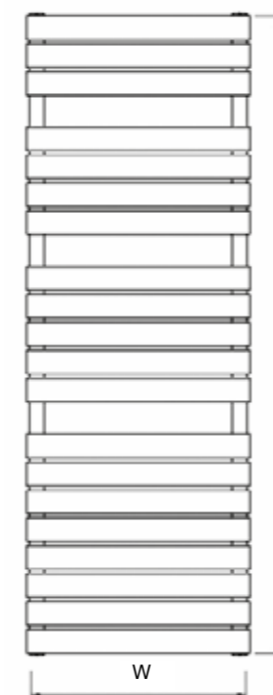
5 YEAR GUARANTEE

FOR MORE INFORMATION
including fitting instructions, visit our website or scan the QR code

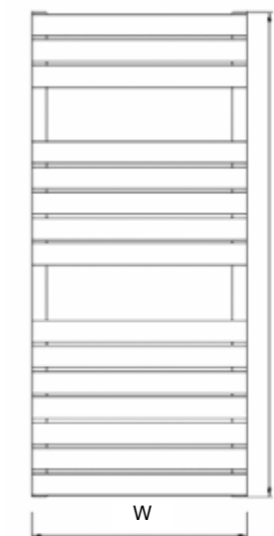
Wall to front face = 90-95mm
 Wall to pipe centre = 50-55mm

TECHNICAL INFORMATION
 STANDARD CONNECTIONS 1/2"
F = Flow **R** = Return **P** = Plug **V** = Vent

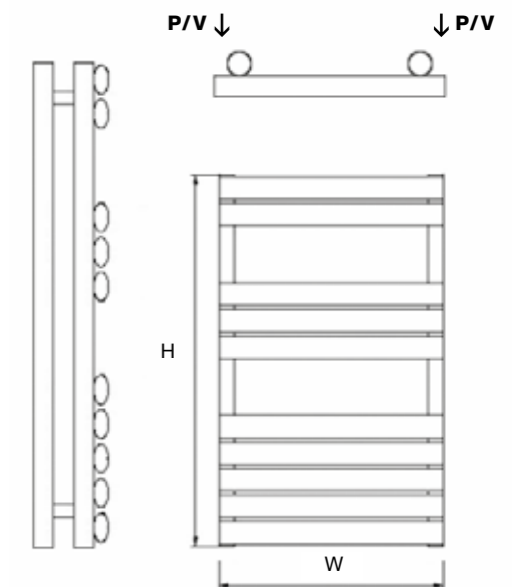
The Cove TR can be finished in our "Infinity Steel" PVD finish, which stands for physical vapor deposition; a process used to create a very durable, corrosion and tarnish resistant finish. PVD finish is commonly used for bathroom fixtures which are exposed to frequent moisture.



H150 - 20 tubes



H120 - 15 tubes



H80 - 10 tubes

MODEL	HEIGHT (mm)	WIDTH (mm)	PIPE CENTRES (mm)	WATTS Δt 50°C	BTUs Δt 50°C	ELECTRIC ELEMENT WATTAGE	WHITE / ANTHRACITE (inc VAT)	RAL COLOUR / FINISHES (inc VAT)	INFINITY STEEL (inc VAT)	WEIGHT (kgs)
Cove TR50/80	826	500	450	410	1399	600	£190.80	£308.40	£385.20	10
Cove TR50/120	1120	500	450	550	1877	900	£234.00	£350.40	£591.60	13
Cove TR50/150	1535	500	450	700	2388	900	£321.60	£438.00	£638.40	16

* All items in bold - next working day delivery * All items not in bold - 7-10 working days delivery

VALVES & ACCESSORIES
(please see pages 138-148)

Available in the following finishes:

ADDITIONAL EXTRAS:
 Electric Version (Essential Element) + **£144.00**
 Dual Fuel Version (please add price of correct size element from Accessories pages)
 Verso Hook in White or Chrome + **£25.20**



COVE TR

