

MAIN IMAGE: Shown in Anthracite 7016 Texture with Jupiter Angled Valves in Brushed Nickel
 INSET IMAGE: Shown in White RAL 9016

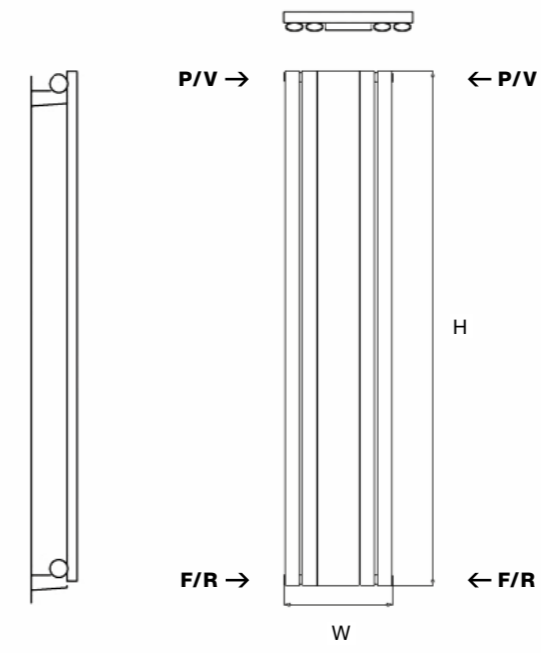


MATERIAL
Mild steel

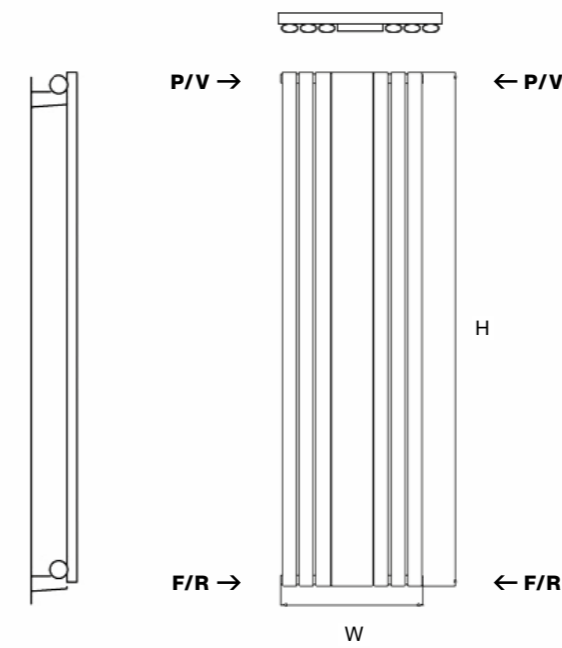
DELIVERY
Next working day

5 YEAR GUARANTEE

FOR MORE INFORMATION
including fitting instructions, visit our website or scan the QR code



COVE M180/4



COVE M180/6

TECHNICAL INFORMATION
 STANDARD CONNECTIONS 1/2"
F = Flow **R** = Return **P** = Plug **V** = Vent
PIPE CENTRES
 Vertical = radiator width + valves



Wall to front face = 105mm
 Wall to pipe centre = 65mm
 Width of mirror = 145mm

MODEL	HEIGHT (mm)	WIDTH (mm)	WATTS Δt 50°C	BTUs Δt 50°C	WHITE (inc VAT)	ANTHRACITE 7016 TEXTURE (inc VAT)	WEIGHT (kgs)
Cove M180/4	1800	382	495	1688	£340.80	£340.80	21
Cove M180/6	1800	500	850	2900	£402.00	£402.00	27

* Next working day delivery

VALVES & ACCESSORIES
(please see pages 141-148)

ADDITIONAL EXTRAS:
 Grip Peg in White or Chrome + £31.20
 VIP Hook in White or Chrome + £42.00

Available in the following finishes:



COVE
+ 22 Mirror

