



HOCKWOLD

(Image shown: Finished in Chrome)



CRANWICH

(Image shown: Finished in Chrome)



MATERIAL
Brass



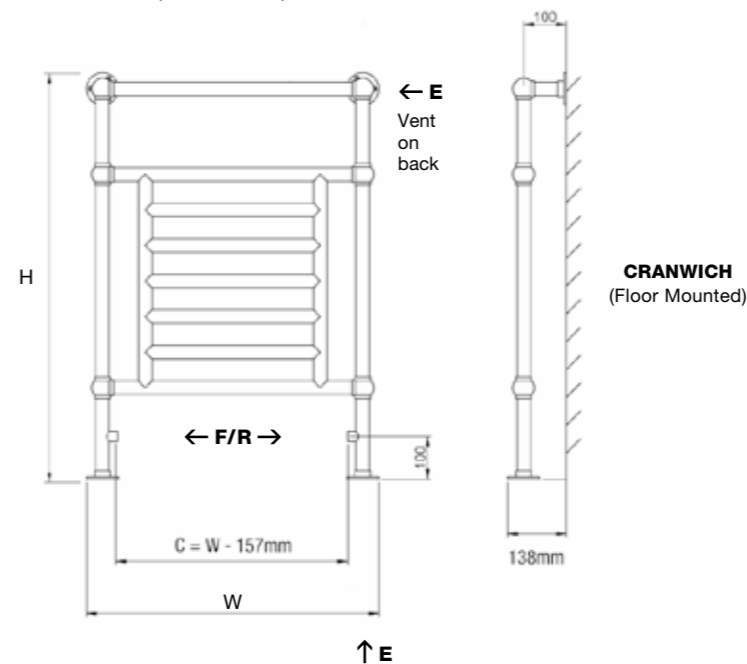
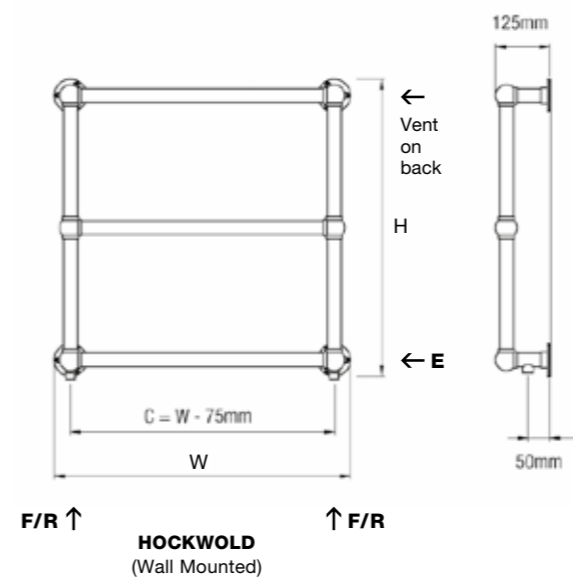
DELIVERY
4-6 weeks



5 YEAR GUARANTEE



FOR MORE INFORMATION
including fitting instructions, visit our website or scan the QR code



TECHNICAL INFORMATION
STANDARD CONNECTIONS 1/2"
F = Flow **R** = Return **E** = Element Position
TUBE DIAMETER
= 31.8mm



Concealed element on dual fuel and electric floor standing towel rails.

MODEL	HEIGHT (mm)	WIDTH (mm)	WATTS Δt 50°C	BTUs Δt 50°C	ELECTRIC ELEMENT WATTAGE	CHROME (inc VAT)	POLISHED NICKEL BRUSHED NICKEL POLISHED BRASS (inc VAT)	POLISHED GOLD ANTIQUE BRASS (inc VAT)
HOCKWOLD - WALL MOUNTED								
Hockwold-0 W	685	475	160	545	100	£1,064.40	£1,380.00	£1,611.60
Hockwold-1 W	685	685	174	593	100	£1,098.00	£1,425.60	£1,644.00
Hockwold-2 W	685	837	195	665	150	£1,130.40	£1,470.00	£1,680.00
Hockwold-3 W	685	989	217	740	150	£1,165.20	£1,516.80	£1,717.20
CRANWICH - FLOOR MOUNTED								
Cranwich-1	952	685	395	1347	100	£1,190.40	£1,566.00	£1,879.20
Cranwich-2	952	837	422	1439	150	£1,317.60	£1,770.00	£1,975.20
Cranwich-3	952	989	448	1528	150	£1,476.00	£1,975.20	£2,155.20

* 4-6 weeks delivery

FOR AVAILABLE FINISHES SEE PAGE 129

VALVES & ACCESSORIES (please see pages 138-148)

TRADITIONAL VERSIONS: Electric option + £306.00 / Dual Fuel option + £246.00 / Element Cover + £204.00

LUXURY

+ 134 Handmade Traditional Towel Rails



HOCKWOLD



CRANWICH