

LAMBOURNE



SANDHURST

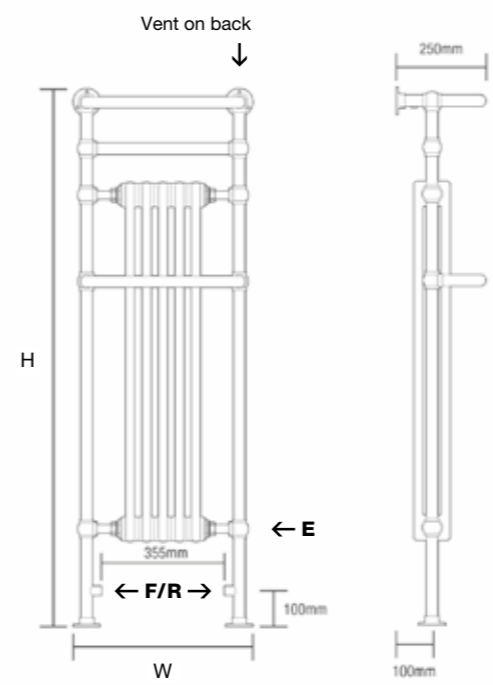


MATERIAL
Mild steel

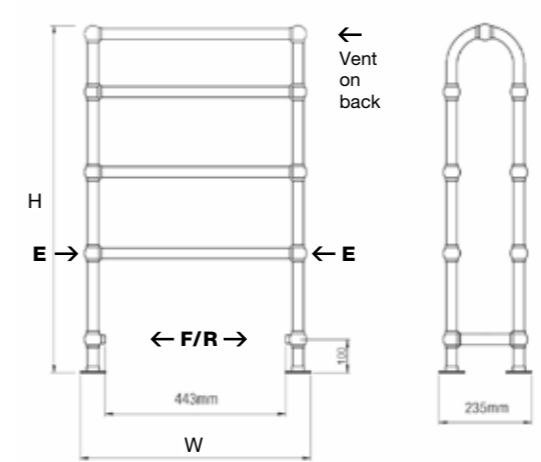
DELIVERY
Next working day

5 YEAR GUARANTEE

FOR MORE INFORMATION
including fitting instructions, visit our website or scan the QR code



LAMBOURNE



SANDHURST

TECHNICAL INFORMATION
STANDARD CONNECTIONS 1/2"
F = Flow R = Return E = Element Position
TUBE DIAMETER
= 31.8mm



MODEL	HEIGHT (mm)	WIDTH (mm)	WATTS Δt 50°C	BTUs Δt 50°C	ELECTRIC ELEMENT WATTAGE	CHROME (inc VAT)	WEIGHT (kgs)	COLUMN INSERT (Number of Sections)
LAMBOURNE								
Lambourne	1500	500	896	3057	500	£826.80	25	5
SANDHURST								
Sandhurst	850	600	483	1648	150 x 2	£860.40	16	-

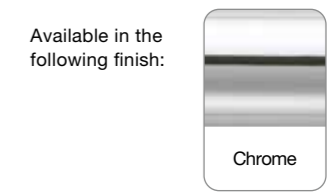
* Next working day delivery

VALVES & ACCESSORIES
(please see pages 138-148)

COLUMN RADIATOR INSERTS ARE WHITE RAL 9016

ADDITIONAL EXTRAS:
Lambourne Electric option with Essential Element + **£138.00**
Lambourne Dual Fuel option with Essential Element + **£81.60**
Lambourne Electric option with MEG Thermostatic Element + **£256.80**
Lambourne Dual Fuel option with MEG Thermostatic Element + **£156.00**

Sandhurst Electric option with Essential Element + **£276.00**
Sandhurst Dual Fuel option with Essential Element + **£163.20**
Sandhurst Electric option with MEG Thermostatic Element + **£513.60**
Sandhurst Dual Fuel option with MEG Thermostatic Element + **£312.00**



ESSENTIAL

+ 126 Traditional Towel Rails

