



TWYFORD



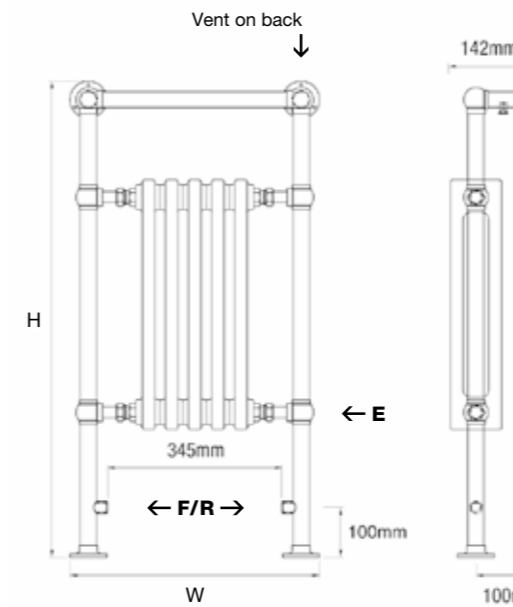
NEWBURY

MATERIAL
Mild steel

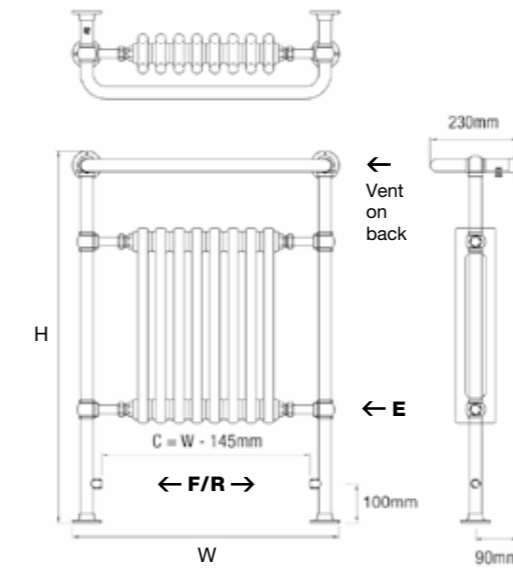
DELIVERY
Next working day

5 YEAR GUARANTEE

FOR MORE INFORMATION
including fitting instructions, visit our website or scan the QR code



TWYFORD



NEWBURY

TECHNICAL INFORMATION
STANDARD CONNECTIONS 1/2"
F = Flow **R** = Return **E** = Element Position
TUBE DIAMETER
= 31.8mm



Showing position of electric and dual fuel element



MODEL	HEIGHT (mm)	WIDTH (mm)	WATTS Δt 50°C	BTUs Δt 50°C	ELECTRIC ELEMENT WATTAGE	CHROME (inc VAT)	WEIGHT (kgs)	COLUMN INSERT (Number of Sections)
TWYFORD								
Twyford	952	500	425	1450	300	£522.00	15	5
NEWBURY								
Newbury-1	965	540	431	1471	300	£474.00	15	5
Newbury-2	965	673	610	2081	600	£565.20	20	8
Newbury-3	965	765	718	2450	600	£648.00	25	10

* Next working day delivery

VALVES & ACCESSORIES
(please see pages 138-148)

COLUMN RADIATOR INSERTS ARE WHITE RAL 9016

ADDITIONAL EXTRAS:
Electric option with Essential Element + **£138.00**
Dual Fuel option with Essential Element + **£81.60**
Electric option with MEG Thermostatic Element + **£256.80**
Dual Fuel option with MEG Thermostatic Element + **£156.00**

Available in the following finish:



Chrome

ESSENTIAL

+ 122 Traditional Towel Rails



TWYFORD



NEWBURY