



## Old Buckenham

(Image shown: Floor mounted finished in Antique Brass)



**MATERIAL**  
Brass (Mild Steel radiator inserts)



**DELIVERY**  
4-6 weeks



**5 YEAR GUARANTEE**

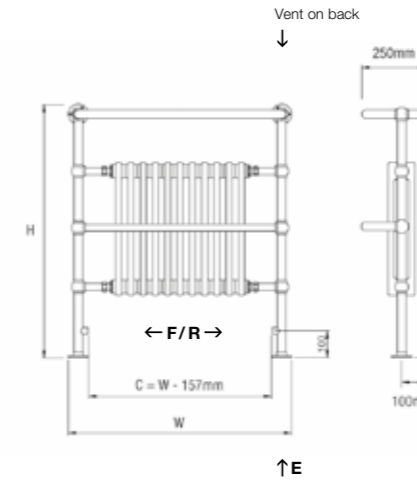


**FOR MORE INFORMATION**  
including fitting instructions, visit our website or scan the QR code

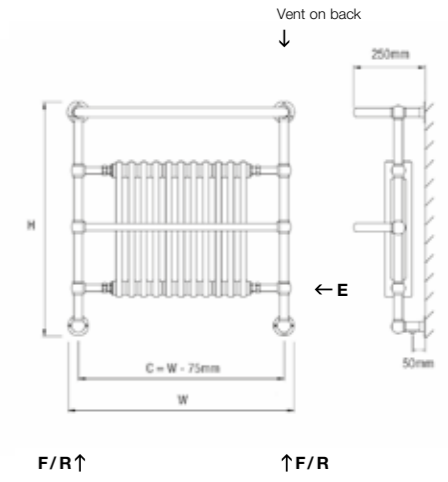
**TECHNICAL INFORMATION**  
STANDARD CONNECTIONS 1/2"

**F = Flow R = Return**  
**E = Element position**

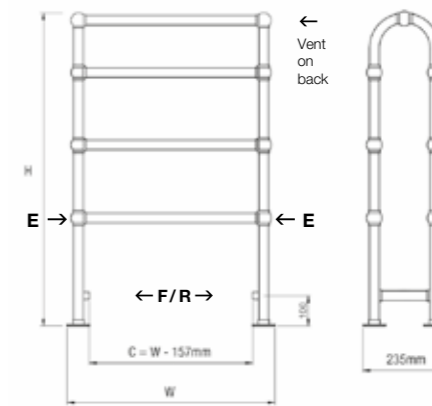
Tube Diameter = 31.8mm



Old Buckenham – Floor Mounted



Old Buckenham – Wall Mounted



Hilborough – Floor Mounted



## Hilborough

(Image shown: Finished in Antique Brass)

# LUXURY

## HANDMADE TRADITIONAL TOWEL RAILS

Model	Height (H) (mm)	Width (W) (mm)	Watts Δt 50°C	BTUs Δt 50°C	Electric Element Wattage	Chrome (inc VAT)	Polished Nickel Brushed Nickel Polished Brass (inc VAT)	Polished Gold Antique Brass (inc VAT)
<b>OLD BUCKENHAM – FLOOR MOUNTED</b>								
Old Buckenham-1	952	500	645	2200	300	£1,402.80	£1,765.20	£1,962.00
Old Buckenham-2	952	685	985	3370	450	£1,536.00	£1,910.40	£2,121.60
Old Buckenham-3	952	837	1328	4531	450	£1,750.80	£2,365.20	£2,626.80
Old Buckenham-4	952	989	1666	6584	600	£2,161.20	£2,916.00	£3,241.20
Old Buckenham-5	1496	500	1120	3822	450	£2,268.00	£3,062.40	£3,404.40
<b>OLD BUCKENHAM – WALL MOUNTED</b>								
Old Buckenham-1 W	789	500	645	2200	300	£1,306.80	£1,765.20	£1,962.00
Old Buckenham-2 W	789	685	985	3370	450	£1,416.00	£1,910.40	£2,121.60
Old Buckenham-3 W	789	837	1328	4531	450	£1,750.80	£2,365.20	£2,626.80
<b>HILBOROUGH – FLOOR MOUNTED</b>								
Hilborough-1	756	685	306	1044	2 x 100	£2,160.00	£2,772.00	£3,201.60
Hilborough-2	756	837	338	1153	2 x 100	£2,242.80	£2,901.60	£3,283.20
Hilborough-3	1028	685	416	1419	2 x 150	£2,520.00	£3,296.40	£3,698.40
Hilborough-4	1028	837	462	1576	2 x 150	£2,640.00	£3,440.40	£3,824.40

For available finishes see page 129

\* 4-6 weeks delivery

**VALVES & ACCESSORIES**  
(Please see pages 138-148)

**TRADITIONAL VERSIONS:**

- ELECTRIC OPTION + £290.00
- DUAL FUEL OPTION + £237.00
- COLOURED RADIATOR INSERT + £230.00

- ELECTRIC OPTION HILBOROUGH + £580.00
- DUAL FUEL OPTION HILBOROUGH + £474.00
- ELEMENT COVER + £194.00