



Croxton

(Image shown: Floor mounted finished in Chrome)



MATERIAL
Brass (Mild Steel radiator inserts)



DELIVERY
4-6 weeks



5 YEAR GUARANTEE

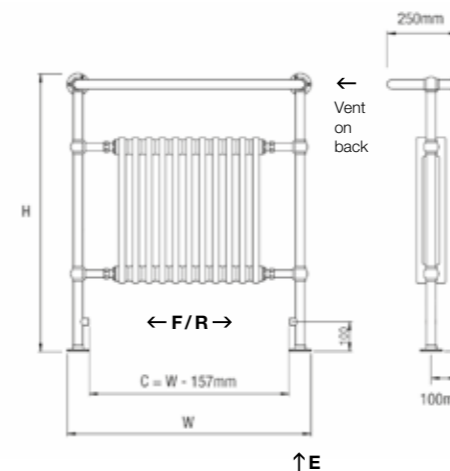


FOR MORE INFORMATION
including fitting instructions, visit our website or scan the QR code

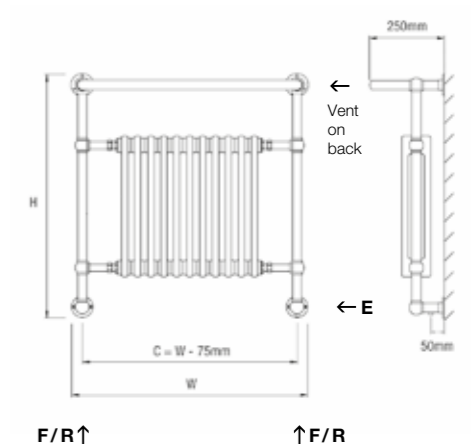
TECHNICAL INFORMATION STANDARD CONNECTIONS 1/2"

F = Flow **R** = Return
E = Element position

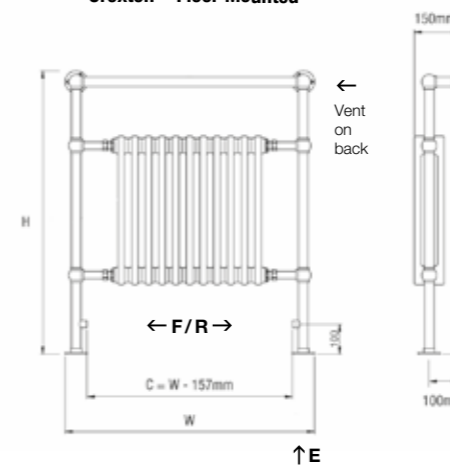
Tube Diameter = 31.8mm



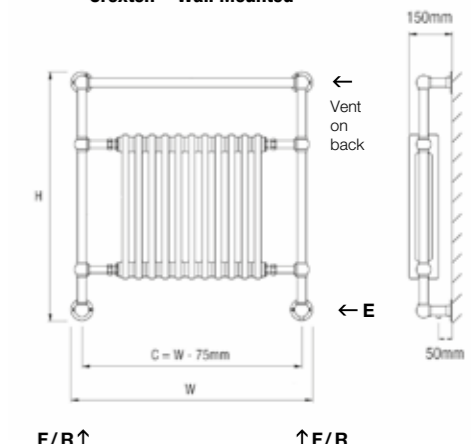
Croxton - Floor Mounted



Croxton - Wall Mounted



Lynford - Floor Mounted



Lynford - Wall Mounted



Lynford

(Image shown: Floor mounted finished in Chrome)



LUXURY

HANDMADE TRADITIONAL TOWEL RAILS

Model	Height (H) (mm)	Width (W) (mm)	Watts Δt 50°C	BTUs Δt 50°C	Electric Element Wattage	Chrome (inc VAT)	Polished Nickel Brushed Nickel Polished Brass (inc VAT)	Polished Gold Antique Brass (inc VAT)
CROXTON - FLOOR MOUNTED								
Croxton-1	952	500	645	2200	300	£1,260.00	£1,512.00	£2,116.80
Croxton-2	952	685	985	3370	450	£1,368.00	£1,641.60	£2,242.80
Croxton-3	952	837	1328	4531	450	£1,534.80	£2,072.40	£2,402.40
Croxton-4	952	989	1666	6584	600	£1,945.20	£2,624.40	£2,700.00
CROXTON - WALL MOUNTED								
Croxton-1 W	789	500	645	2200	300	£1,260.00	£1,512.00	£2,116.80
Croxton-2 W	789	685	985	3370	450	£1,368.00	£1,641.60	£2,242.80
Croxton-3 W	789	837	1328	4531	450	£1,534.80	£2,072.40	£2,402.40
LYNFORD - FLOOR MOUNTED								
Lynford-1	952	500	645	2200	300	£1,135.20	£1,359.60	£1,672.80
Lynford-2	952	685	965	3292	450	£1,233.60	£1,502.40	£1,776.00
Lynford-3	952	837	1300	4435	450	£1,459.20	£1,969.20	£2,186.40
Lynford-4	952	989	1600	5459	600	£1,792.80	£2,421.60	£2,691.60
LYNFORD - WALL MOUNTED								
Lynford-1 W	789	500	645	2200	300	£1,135.20	£1,359.60	£1,672.80
Lynford-2 W	789	685	965	3292	450	£1,233.60	£1,502.40	£1,776.00
Lynford-3 W	789	837	1300	4435	450	£1,459.20	£1,969.20	£2,186.40

For available finishes see page 129

* 4-6 weeks delivery

VALVES & ACCESSORIES
(Please see pages 138-148)

TRADITIONAL VERSIONS:

- ELECTRIC OPTION + £290.00
- COLOURED RADIATOR INSERT + £230.00
- DUAL FUEL OPTION + £237.00
- ELEMENT COVER + £194.00