



Hungerford

MATERIAL
Mild steel

DELIVERY
Next working day

5 YEAR GUARANTEE

FOR MORE INFORMATION
including fitting instructions, visit our website or scan the QR code

TECHNICAL INFORMATION

STANDARD CONNECTIONS 1/2" F = Flow R = Return
E = Element position

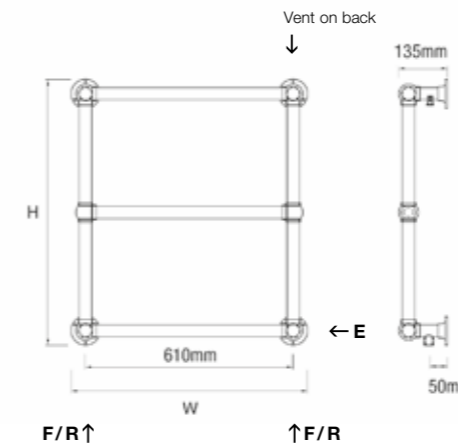
Tube Diameter = 31.8mm



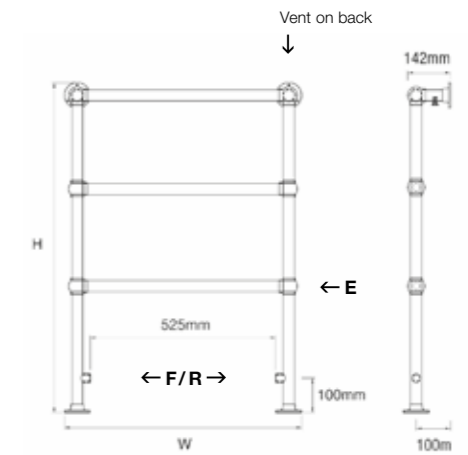
Showing position of electric and dual fuel element



Eastbury



Hungerford



Eastbury

Model	Height (H) (mm)	Width (W) (mm)	Watts Δt 50°C	BTUs Δt 50°C	Electric Element Wattage	Chrome (inc VAT)	Weight (kgs)
HUNGERFORD							
Hungerford	685	685	137	467	150	£309.60	15
EASTBURY							
Eastbury	952	680	145	494	150	£374.40	16

* Next working day delivery

ESSENTIAL

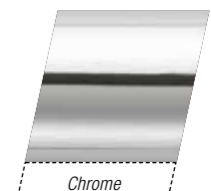
TRADITIONAL TOWEL RAILS

VALVES & ACCESSORIES
(Please see pages 138-148)

ADDITIONAL EXTRAS:

- ELECTRIC OPTION WITH ESSENTIAL ELEMENT + £132.00
- DUAL FUEL OPTION WITH ESSENTIAL ELEMENT + £76.80
- ELECTRIC OPTION WITH MEG THERMOSTATIC ELEMENT + £244.80
- DUAL FUEL OPTION WITH MEG THERMOSTATIC ELEMENT + £144.00

AVAILABLE IN THE FOLLOWING FINISH:



Chrome