



MATERIAL
Stainless steel
Grade 304



DELIVERY
Next working day



5 YEAR
GUARANTEE



FOR MORE INFORMATION
including fitting instructions, visit
our website or scan the QR code

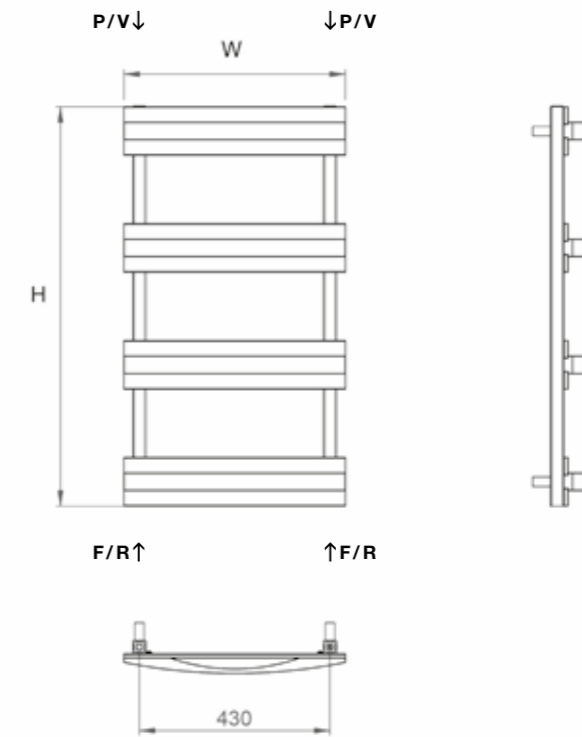
MAIN AND INSET IMAGE:
Shown in Brushed Stainless Steel with Essential Angled Valves in Chrome



TECHNICAL INFORMATION

STANDARD CONNECTIONS 1/2" F = Flow P = Plug
R = Return V = Vent

Wall to front face = 115-140mm
Wall to pipe centre = 55-80mm



H90 - 8 tubes

Model	Height (H) (mm)	Width (W) (mm)	Pipe Centres (mm)	Watts Δt 50°C	BTUs Δt 50°C	Electric Element Wattage	Brushed & Wooden (inc VAT)	Weight (kgs)
Koha 50/90	900	500	430	245	836	300	£646.80	6

WOOD TYPE - IROKO

★ Next working day delivery

VALVES & ACCESSORIES
(Please see pages 138-148)

ADDITIONAL EXTRAS:
• ELECTRIC VERSION (ESSENTIAL ELEMENT) + £132.00
• DUAL FUEL VERSION (PLEASE ADD PRICE
OF CORRECT SIZE ELEMENT FROM
ACCESSORIES PAGES)

AVAILABLE IN THE FOLLOWING FINISH:

Brushed
Stainless

KOHA

The Koha has been classically designed with influences from nature's pure tones.
The wood finish partnered with the brushed stainless steel creates a harmonious vibe.