



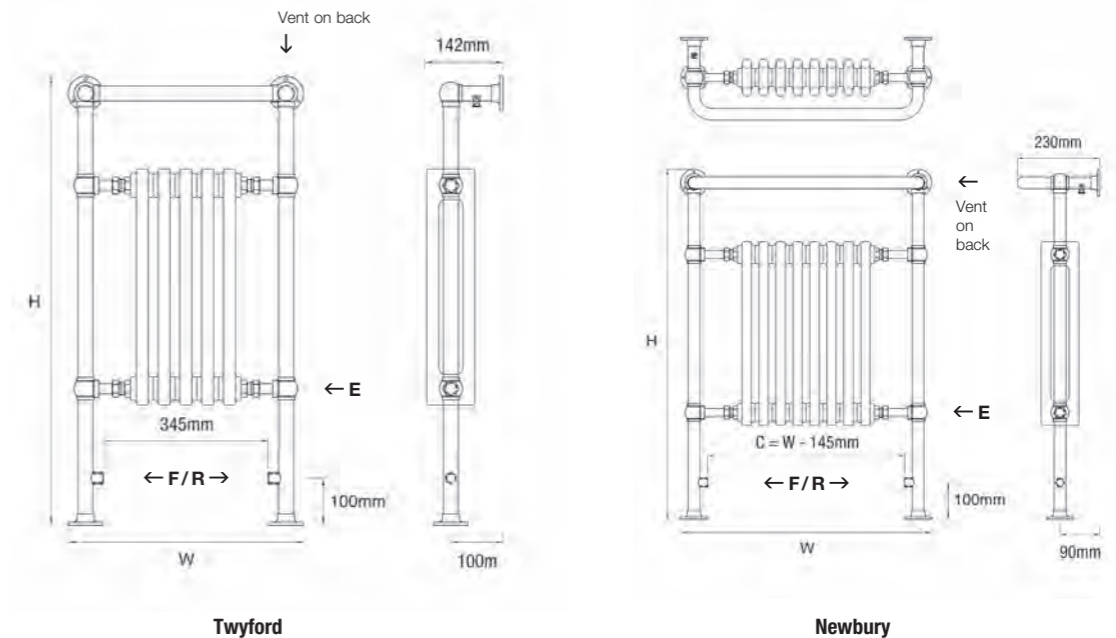
TECHNICAL INFORMATION
STANDARD CONNECTIONS 1/2"

F = Flow **R** = Return
E = Element position

Tube Diameter = 31.8mm



Showing position of electric and dual fuel element



ESSENTIAL

TRADITIONAL TOWEL RAILS

Our range of imported mild steel traditional towel rails in chrome are now available for central heating, dual fuel and electric only installation. All models are in stock ensuring quick delivery and competitive prices whilst maintaining exceptional quality.

Model	Height (H) (mm)	Width (W) (mm)	Watts Δt 50°C	Btu's Δt 50°C	Electric Element Wattage	Chrome (inc VAT)	Weight (kgs)	Column Insert (Number of Sections)
TWYFORD								
Twyford	952	500	425	1450	300	£429.00	15	5
NEWBURY								
Newbury-1	965	540	431	1471	300	£388.80	15	5
Newbury-2	965	673	610	2081	600	£464.40	20	8
Newbury-3	965	765	718	2450	600	£532.80	25	10

* Next working day delivery

VALVES & ACCESSORIES
(Please see pages 138-148)

ADDITIONAL EXTRAS:

- ELECTRIC OPTION WITH ESSENTIAL ELEMENT + £114.00
- DUAL FUEL OPTION WITH ESSENTIAL ELEMENT + £66.00
- ELECTRIC OPTION WITH MEG THERMOSTATIC ELEMENT + £210.00
- DUAL FUEL OPTION WITH MEG THERMOSTATIC ELEMENT + £126.00

AVAILABLE IN THE FOLLOWING FINISH:

Column radiator inserts are White RAL 9016

