



MATERIAL
• Brass (Mild Steel radiator inserts)



DELIVERY
• 4-5 weeks



5 YEAR GUARANTEE



FOR FITTING INSTRUCTIONS VISIT
www.dqheating.com



Lynford
(Image shown: Floor mounted)

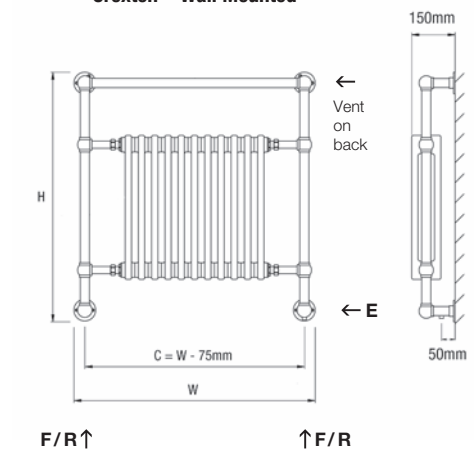
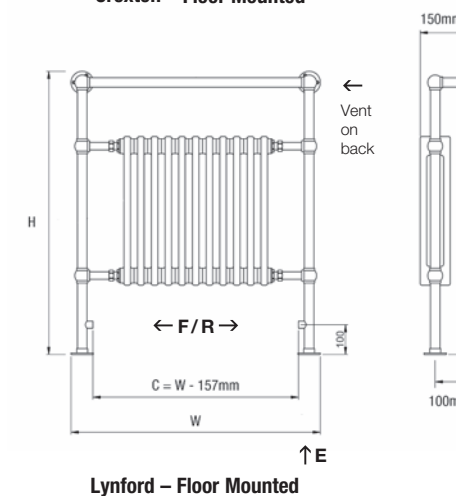
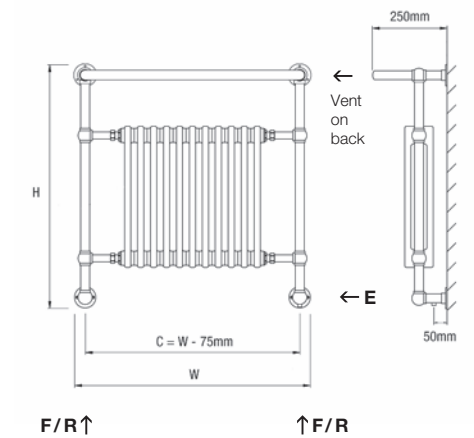
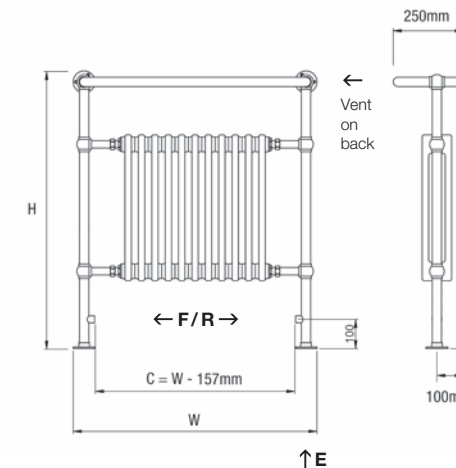


Croxton
(Image shown: Floor mounted)

**TECHNICAL INFORMATION
STANDARD
CONNECTIONS 1/2"**

F = Flow R = Return
E = Element position

Tube Diameter = 31.8mm



Model	Height (H) (mm)	Width (W) (mm)	Watts Δt 50°C	Btu's Δt 50°C	Electric Element Wattage	Chrome (inc VAT)	Polished Nickel Brushed Nickel Polished Brass (inc VAT)	Polished Gold Antique Brass (inc VAT)
CROXTON - FLOOR MOUNTED								
Croxton-1	952	500	645	2200	300	£1,090.00	£1,308.00	£1,832.00
Croxton-2	952	685	985	3370	450	£1,183.00	£1,420.00	£1,941.00
Croxton-3	952	837	1328	4531	450	£1,328.00	£1,794.00	£2,079.00
Croxton-4	952	989	1666	6584	600	£1,683.00	£2,272.00	£2,337.00
CROXTON - WALL MOUNTED								
Croxton-1 W	789	500	645	2200	300	£1,090.00	£1,308.00	£1,832.00
Croxton-2 W	789	685	985	3370	450	£1,183.00	£1,420.00	£1,941.00
Croxton-3 W	789	837	1328	4531	450	£1,328.00	£1,794.00	£2,079.00
LYNFORD - FLOOR MOUNTED								
Lynford-1	952	500	645	2200	300	£982.00	£1,177.00	£1,447.00
Lynford-2	952	685	965	3292	450	£1,067.00	£1,300.00	£1,537.00
Lynford-3	952	837	1300	4435	450	£1,262.00	£1,704.00	£1,892.00
Lynford-4	952	989	1600	5459	600	£1,552.00	£2,096.00	£2,330.00
LYNFORD - WALL MOUNTED								
Lynford-1 W	789	500	645	2200	300	£982.00	£1,177.00	£1,447.00
Lynford-2 W	789	685	965	3292	450	£1,067.00	£1,300.00	£1,537.00
Lynford-3 W	789	837	1300	4435	450	£1,262.00	£1,704.00	£1,892.00

* 4-5 weeks delivery

VALVES & ACCESSORIES
(Please see pages 138-148)

TRADITIONAL VERSIONS:
• ELECTRIC OPTION + £252.00 • COLOURED RADIATOR INSERT + £200.00
• DUAL FUEL OPTION + £205.00 • ELEMENT COVER + £168.00

LUXURY

HANDMADE TRADITIONAL TOWEL RAILS