



Lambourne



Sandhurst

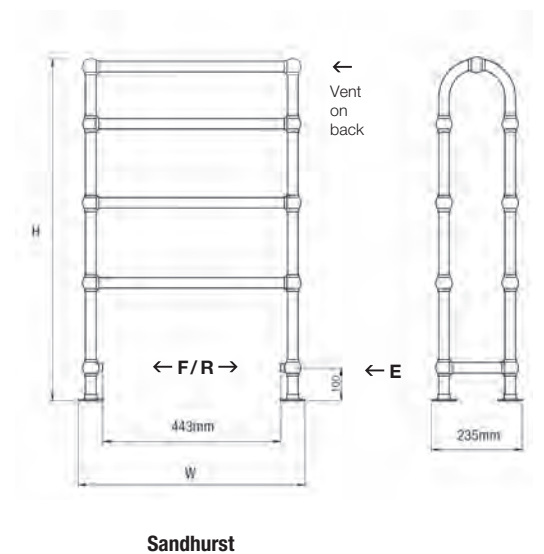
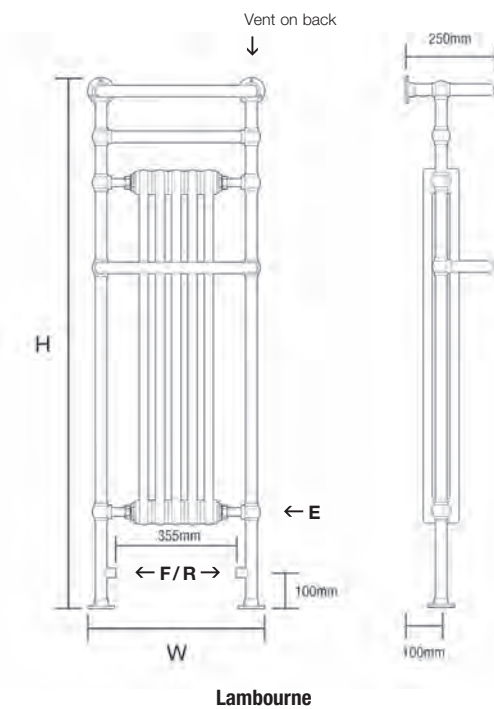
**TECHNICAL INFORMATION
STANDARD
CONNECTIONS 1/2"**

F = Flow **R** = Return
E = Element position

Tube Diameter = 31.8mm



Showing position of electric and dual fuel element



Model	Height (H) (mm)	Width (W) (mm)	Watts Δt 50°C	Btu's Δt 50°C	Electric Element Wattage	Chrome (inc VAT)	Weight (kgs)	Column Insert (Number of Sections)
LAMBOURNE								
Lambourne	1500	500	896	3057	500	£681.00	15	5
SANDHURST								
Sandhurst	850	600	483	1648	150 x 2	£708.00	16	-

* Next working day delivery

VALVES & ACCESSORIES
(Please see pages 138-148)

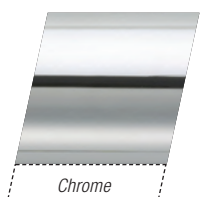
ADDITIONAL EXTRAS:

- LAMBOURNE ELECTRIC OPTION WITH ESSENTIAL ELEMENT + £114.00
- LAMBOURNE DUAL FUEL OPTION WITH ESSENTIAL ELEMENT + £66.00
- LAMBOURNE ELECTRIC OPTION WITH MEG THERMOSTATIC ELEMENT + £210.00
- LAMBOURNE DUAL FUEL OPTION WITH MEG THERMOSTATIC ELEMENT + £126.00

- SANDHURST ELECTRIC OPTION WITH ESSENTIAL ELEMENT + £228.00
- SANDHURST DUAL FUEL OPTION WITH ESSENTIAL ELEMENT + £132.00
- SANDHURST ELECTRIC OPTION WITH MEG THERMOSTATIC ELEMENT + £420.00
- SANDHURST DUAL FUEL OPTION WITH MEG THERMOSTATIC ELEMENT + £252.00

AVAILABLE IN THE FOLLOWING FINISH:

Column radiator inserts are White RAL 9016



ESSENTIAL

TRADITIONAL TOWEL RAILS