



*Hockwold*



*Hilborough*



*Cranwich*

(Image shown: Floor mounted)

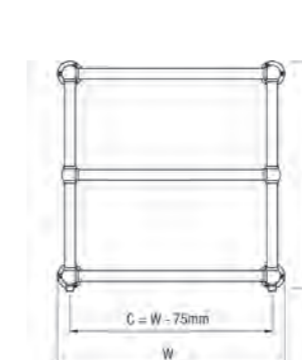
# LUXURY

HANDMADE TRADITIONAL TOWEL RAILS

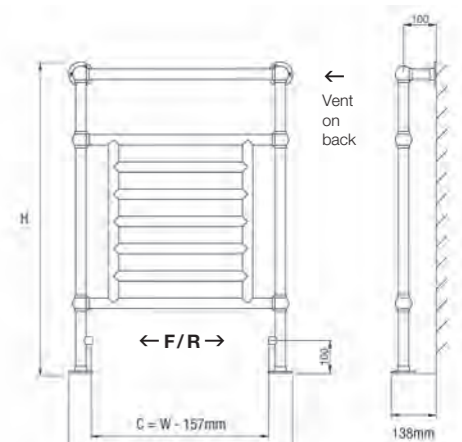
**TECHNICAL INFORMATION**  
STANDARD CONNECTIONS 1/2"

**F = Flow R = Return**  
**E = Element position**

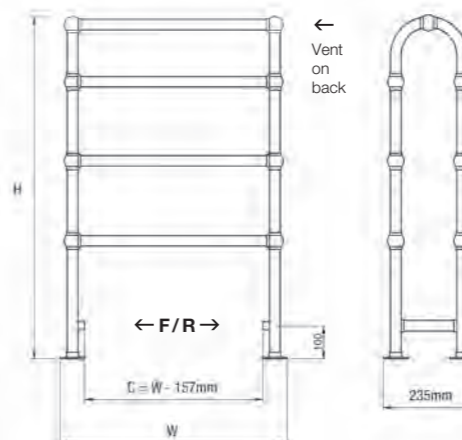
Tube Diameter = 31.8mm



Hockwold – Wall Mounted



Cranwich – Floor Mounted



Hilborough – Floor Mounted



Concealed element on dual fuel and electric floor standing towel rails.

Model	Height (H) (mm)	Width (W) (mm)	Watts Δt 50°C	Btu's Δt 50°C	Electric Element Wattage	Chrome (inc VAT)	Polished Nickel Brushed Nickel Polished Brass (inc VAT)	Polished Gold Antique Brass (inc VAT)
<b>HOCKWOLD – WALL MOUNTED</b>								
Hockwold-0 W	685	475	160	545	100	£876.00	£1,137.00	£1,328.00
Hockwold-1 W	685	685	174	593	100	£903.00	£1,174.00	£1,354.00
Hockwold-2 W	685	837	195	665	150	£931.00	£1,211.00	£1,384.00
Hockwold-3 W	685	989	217	740	150	£960.00	£1,249.00	£1,414.00
<b>CRANWICH – FLOOR MOUNTED</b>								
Cranwich-1	952	685	395	1347	100	£980.00	£1,290.00	£1,548.00
Cranwich-2	952	837	422	1439	150	£1,085.00	£1,458.00	£1,627.00
Cranwich-3	952	989	448	1528	150	£1,215.00	£1,627.00	£1,776.00
<b>HILBOROUGH – FLOOR MOUNTED</b>								
Hilborough-1	756	685	306	1044	2 x 100	£1,869.00	£2,399.00	£2,771.00
Hilborough-2	756	837	338	1153	2 x 100	£1,941.00	£2,511.00	£2,842.00
Hilborough-3	1028	685	416	1419	2 x 150	£2,181.00	£2,853.00	£3,201.00
Hilborough-4	1028	837	462	1576	2 x 150	£2,285.00	£2,978.00	£3,310.00

\* 4-5 weeks delivery

VALVES & ACCESSORIES  
(Please see pages 138-148)

TRADITIONAL VERSIONS:  
• ELECTRIC OPTION + £252.00  
• DUAL FUEL OPTION + £205.00

• ELECTRIC OPTION HILBOROUGH + £504.00  
• DUEL FUEL OPTION HILBOROUGH + £410.00  
• ELEMENT COVER + £168.00