

# Peta Electric Fixing Instructions

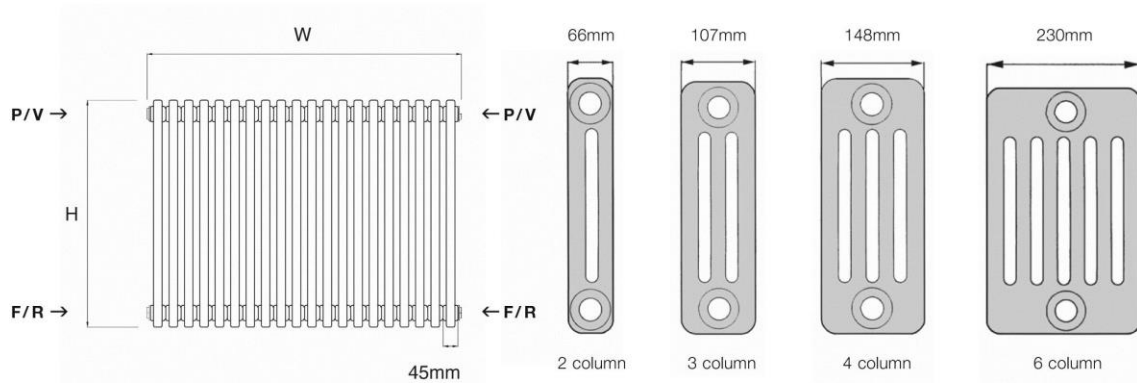
Please unpack your delivery carefully and inspect the radiator and contents – any damages or shortages must be notified to your supplier within 3 days of delivery of your goods.

Inside your accessories box you will have:

4-20 Sections	1 Pair of Wall Ties / 2 x Wall Brackets / 2 x Cast Feet / 2 x Slip on Feet / 2 x Floor Brackets
21-40 Sections	2 Pairs of Wall Ties / 3 x Wall Brackets / 3 x Cast Feet / 3 x Slip on Feet / 3 x Floor Brackets
41+ Sections	2 Pairs of Wall Ties / 4 x Wall Brackets / 4 x Cast Feet / 4 x Slip on Feet / 4 x Floor Brackets

## TECHNICAL SPECIFICATIONS FOR ELECTRIC PETA RADIATOR

2 Column= 66mm	3 column= 107mm	4 column= 148mm	6 column= 230mm
----------------	-----------------	-----------------	-----------------



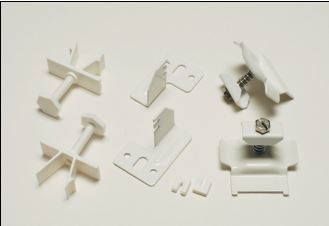


Standard Connections 1/2"  
 F = Flow      P = Plug  
 R = Return    V = Vent  
 Other connections available upon request

Pipe centres = radiator width + valves

Materials	Mild Steel
Connections	1/2 Flow and return
Test pressure	6 Bar
Testing authority	EN442
Max operation pressure	4 Bar
Max working temperature	95c

These can be cleaned using a soft damp cloth with a non-abrasive cleaning product

## INSTALLATION AND FIXINGS

<b>Wall Brackets</b>		
<b>Step 1:</b>	Pass screw through the front clamp & spring. Screw into backplate.	
<b>Step 2:</b>	Turn clamp 90 degrees and pass through tubes, turn across tubes and tighten. Fix it into the radiator in the desired position (usually 2/3 sections in from the end)	
<b>Step 3:</b>	Mark the desired position for the wall brackets on the wall + using a suitable drill bit, drill holes and fix the bracket to the wall using the fixings provided.	
<b>Step 4:</b>	Lower the radiator on to the brackets, ensuring they are securely located on the clamp.	
<b>Step 5:</b>	<b>For white radiators</b> – place the spacer between the tube at the bottom of the radiator and adjust the threaded section until the radiator is upright.	
<b>Wall Ties</b>		
<b>Step 1:</b>	The way this should be assembled is as follows – remove the backing from the pad and stick it to the inside surface of the clamps.	
<b>Step 2:</b>	Place both clamps around radiator tube and place the L shaped bracket in-between them	
<b>Step 3:</b>	Mark the L bracket position on the wall and using a suitable drill bit and fixings, fix to the wall.	
<b>Cast Feet / Slip on Feet</b>		
<b>Step 1:</b>	Place in desired position and place the radiator on top of the foot and fix into position.	

## Floor Brackets

**\*ONLY WHITE\***



**Step 1:** Set desired height on floor plate and mount the plastic disc on top of assembly.



**Step 2:** Place radiator on top of assembly and attach the U bar around the section and into the assembly and fix into place.



**Step 3:** Mark the position of the brackets on the floor and ensuring it is safe to do so, using a suitable drill bit and fixings – fix the bracket to the floor.



**Step 4:** Attach the the decorative shroud.

### **ADDITIONAL INFORMATION**

If you are fixing your radiator to a stud wall, you should place the radiator in the desired position and hold up the back plate in position and mark through the fixing holes to a secure position

**Installation of this radiator should only be carried out by a qualified engineer in accordance with local regulations. Failure to do so may invalidate your warranty**

# HOME



HEAT SYSTEM

HEATER  
CONTROLLER  
-  
HORIZONTAL



TEMPERATURE  
SENSOR/  
REMOTE  
CONTROLLER




## GUIDE & USER MANUAL

**HEATER CONTROLLER H+h | TEMPERATURE SENSOR**



## SAFETY:

1. **The heater should be installed by a qualified person.**
2. Bathroom radiators fitted with electric heaters should be fixed not less than 60 cm from a bath, shower or wash basin, and never above abath.
3. For the heater permanently connected (hard wire) there must be applied a cut-off device from the mains. Such a device must disconnect the heater from the supply mains in 2 poles, with contact separation of at least 3 mm.
4. This appliance can be used by children aged from 8 years and above and persons with reduced physical, sensory or mental capabilities or lack of experience and knowledge if they have been given supervision or instruction concerning use of the appliance in a safe way and understand the hazards involved
5. Children shall not play with the appliance. Cleaning and user maintenance shall not be made by children without supervision.
6. **The heater MUST BE DISCONNECTED before cleaning the casing. AVOID SOAKING THE CASING.**
7. One radiator valve must always be open when a heater is in use (liquid thermal expansion).

**CAUTION:** To avoid the risk of fire or electric shock the heater should be protected from water spray or flooding. This appliance is not intended for use by persons (including children) of limited physical, sensory or mental abilities, or persons inexperienced or not familiar with the appliance, unless supervised or instructed on the appliance use by persons responsible for their safety. Particular attention should be paid to children, to preclude playing with the appliance by them. Exclamation mark on triangular field signals:  **information important for the user.**

**CAUTION: electric shock hazard!**, lightning mark ended with arrow on triangular field 

**CAUTION:** in order to reduce electric shock hazard, do not remove the casing (nor its rear cover). There are no user-serviceable parts inside the appliance; the product must be returned to the manufacturer for repair via the distributor who sold the product.

## GUARANTEE TERMS:

Guarantee is granted by manufacturer for 24 months period starting from date of sale, but no longer than 36 months from date of the heater manufacture. Defects revealed within this period, resulting from a fault of manufacturer will be repaired free of charge or the item replaced with new, equivalent one. Term of complaints' investigation up to 14 (fourteen) days from date of submission to the manufacturer.

### Guarantee does not cover:

1. Using of product in a manner noncompliant with attached instructions.
2. Any visible damage to the heating element or controller due to improper use. Damaging of manufacturer's seals makes the guarantee null and void.

**In the event that Heatpol are unable to repair or replace this product we reserve the right to refund the purchase price as an alternative.**

## GUARANTEE CARD

Serial No.:

Date of sale:

Stamp of retail outlet, signature of seller

MADE IN EU

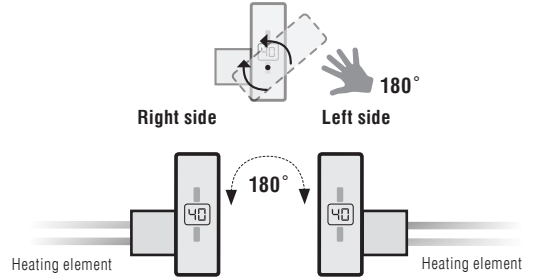
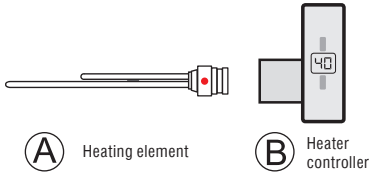
**Caution:** The guarantee card should be legibly filled in retail outlet. Any corrections on the guarantee card will invalidate the guarantee. Guarantee card valid only with proof of purchase.

# USER MANUAL: Heating element + Heater controller (horizontal) H+h

1

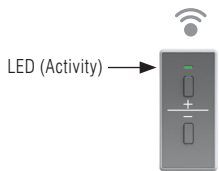
Kit content

Side connection

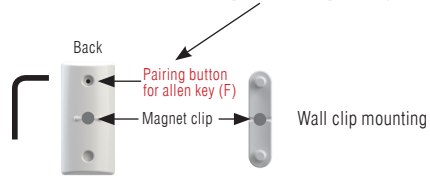


2

Preparing the temperature sensor

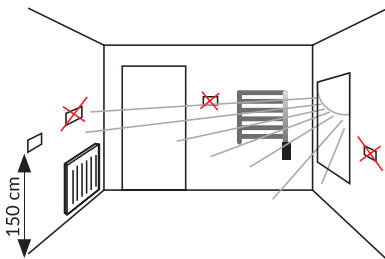


To activate temperature sensor for the first time, press the pairing button



3

Locate suitable place to mount temperature sensor



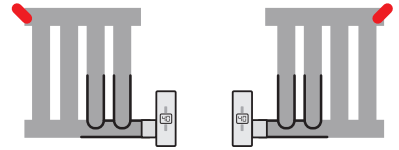
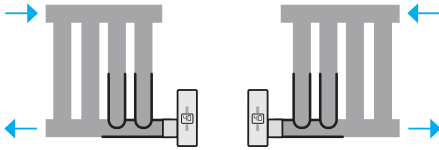
Do not place the temperature sensor:

- over the radiators
- next to doors
- in sunny places

# USER MANUAL: Heating element + Heater controller (horizontal) H+h

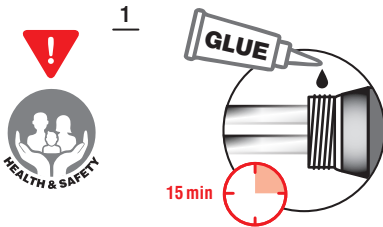
Mounting in radiators: Central heating system

Electric radiators

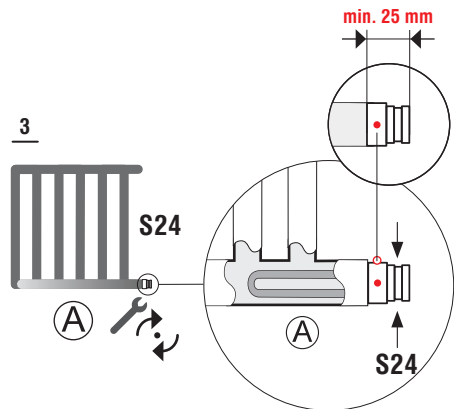
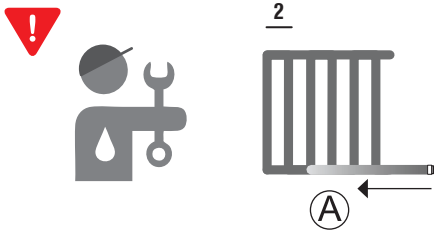


The electric heater must have a safety valve

## Installation details

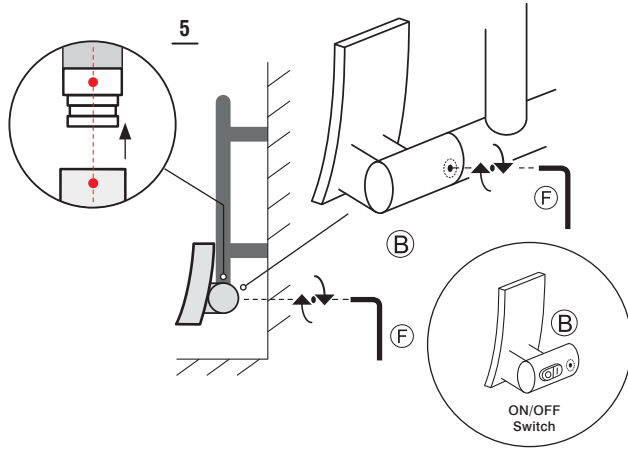
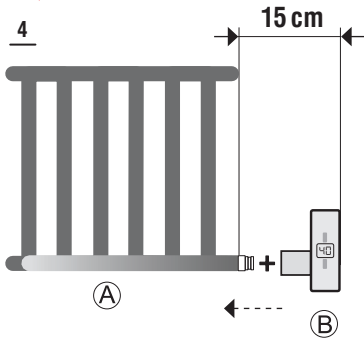


Before you apply the heating element, spread the Loctite glue (**included in the set**) on the middle of the thread circumference.



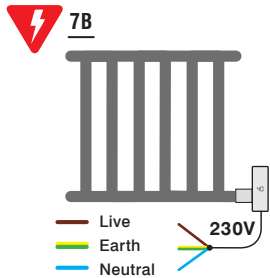
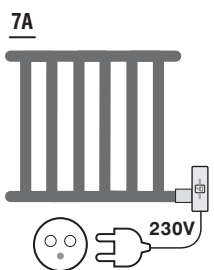
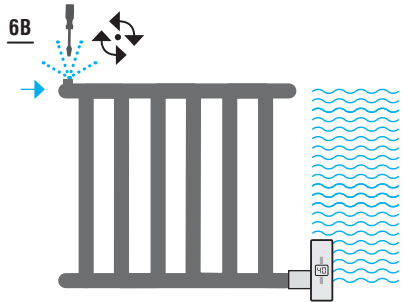
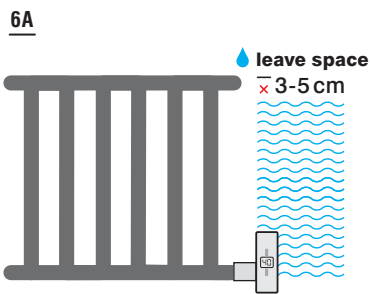
Do not play in yet

Line up dot at front



Electric radiators

Central heating system



For the heater permanently connected (hard wire) there must be applied a cut-off device from the mains. Such a device must disconnect the heater from the supply mains in 2 poles, with contact separation of at least 3 mm from the main supply



## 1 Heater controller



**When the heater is connected to the mains properly, the red light will flash on the controller display**

## 2 The heater is ready for WiFi configuration

## 3 Go to [supla.org](https://supla.org) and create a free supla account and follow the attached instructions.



**DOWNLOAD THE APP**

**SUPLA.ORG**



**System requirements ANDROID 3.1/IOS 8.2 or the latest version**

**Install the application on your devices.  
The app will guide you through the individual installation steps.**



## ATTENTION: Signalling improper installation or improper use:

- E1 Lack of water (or wrong choice of heating element to the heater)
- E2 Damaged heating element (or no power circuit)
- E3 No communication to the remote controller if paired

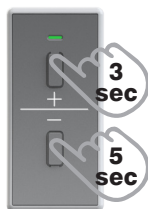


**DO NOT DISCONNECT!** controller from heating element, when connected to the power supply

## ATTENTION:

The temperature sensor can be used as a remote controller instead of your Smartphone

1



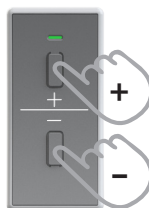
### Run the controller

Hold upper button for 3 seconds

### Switch off the controller

Hold lower button for 5 seconds

2



**30°C - 65°C**

Select temperature

**40°C**

Standard heating temperature

3

## TURBO mode activation



### TURBO mode activation - max heating temperature

Hold button for 3 seconds



**b1-b2-b3** Max heating temperature, **selection for 1/2/3 hours**

**b0** Off selection

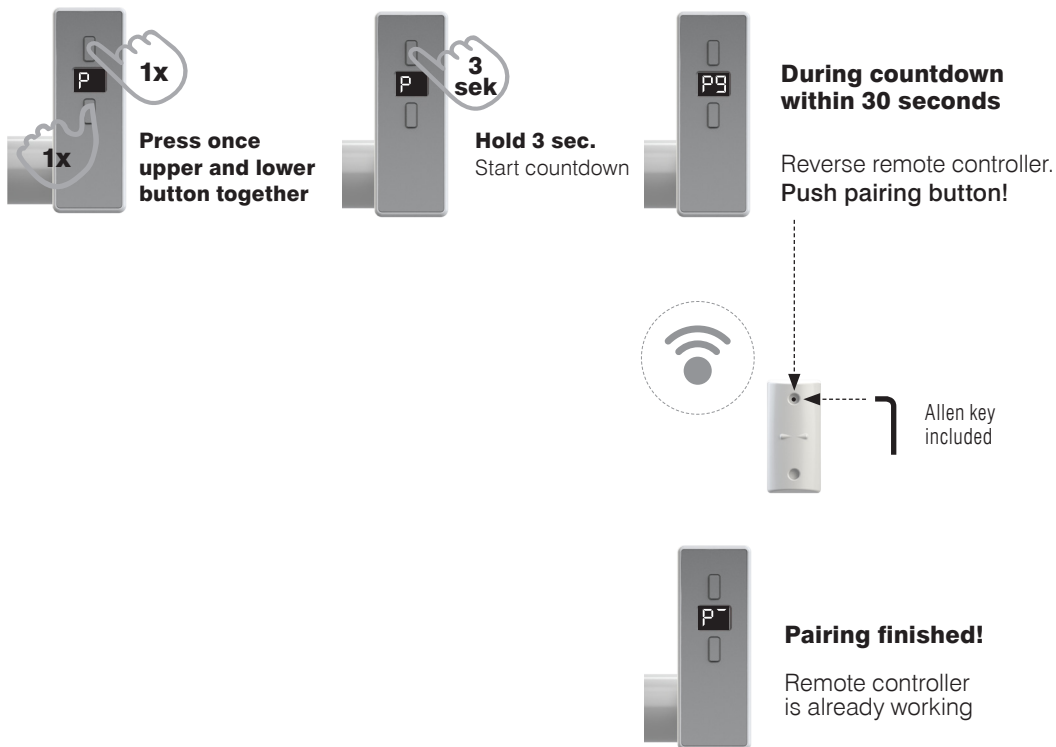
# USER MANUAL:

## NEW TEMPERATURE SENSOR/REMOTE CONTROLLER PAIRING

When you buy a new heating element with a remote controller it will already be paired. You do not need to pair it again.

In case you purchase a new temperature sensor/remote controller – you need to pair it:

### Prepare remote controller + allen key for use



# TERMS AND CONDITIONS

You must immediately remove all packaging, inspect the goods and notify us of any damage to the goods within 3 days of delivery. We shall have no obligation to replace or repair damaged goods in the event of failure by the Buyer to comply with this provision. Radiators which are off an unacceptable standard or are damaged must not be installed. If any items is installed it will be treated as being as accepted as received.

Damaged goods being returned will only be collected from your delivery address, unless otherwise agreed in writing. Any other goods, which we accept back, are to be returned by you to our place of business at your expense.

Items will be accepted as a return which have not been installed or damaged after delivery. We do not accept liability for any damages sustained after delivery. Goods should be returned in their original packaging, provided such packaging and goods are undamaged.

We may issue a credit note for goods which we accept as returned.

We may agree to provide you with replacement goods prior to collecting or receiving back the goods to be returned (whether faulty, damaged or otherwise) but only on the condition that: the replacement goods are paid for in full and we reserve the right to re-invoice you in the event that the returned goods are found to be in a worse condition than when they were originally received by you or where such goods have not been received back to us within 3 months of the replacement goods being received by yourselves. A re-stocking charge of 30% will be applied to all non-faulty stock items that wish to be returned. Special order and non-stock products cannot be cancelled. Where cancellation or alteration of orders is accepted by us, you may be required to pay a restocking charge, to cover administrative costs and collection costs (if applicable); such charges to be determined by us. If the goods we deliver are faulty or damaged, we will meet the cost of the return, as long as the fault is reported to us within 3 working days.

The goods will be deemed to have been accepted when they have been delivered and we may not accept claims for any visible defects found after installation.

We accept no liability for any cost incurred relating to the cost of installation.

We shall not be liable for any plumber's costs, decorator's costs, transport costs, late penalties, or any other costs, as a direct or indirect result of (i) any defect in the goods (including but not limited to any manufacturing faults, such as leaks, that become apparent on or after installation) or (ii) late delivery of the goods.

**GUARANTEES AND LIABILITIES** – we are not the manufacturer of this product we will take all reasonable endeavours to make over to you the benefit of any warranty or guarantee given by the manufacturers. The item must have been fitted in accordance with British and or European standards as well as these fitting instructions.

***PLEASE NOTE: That in accordance with Part L1 2006 of the Building Regulations and BS7593:1992 code of practice for the treatment of hot water and central heating systems, we recommend flushing the heating system before installation of new radiators and then adding the correct quantity and type of inhibitor for use with the radiator and system to prevent corrosion. Damage caused to systems not protected by a suitable inhibitor will not be covered by the manufacturer warranty. It is the responsibility of the installer to ensure the correct use and suitability of the fixings provided. No liability for costs or damages arising from failure to do so can be accepted.***