



MATERIAL
• Brass (Mild Steel radiator inserts)



DELIVERY
• 4-5 weeks



5 YEAR GUARANTEE



FOR FITTING INSTRUCTIONS VISIT
www.dqheating.com



Old Buckenham
(Image shown: Floor mounted)



Old Buckenham
(Image shown: Floor mounted)

Old Buckenham
(Image shown: Wall mounted)

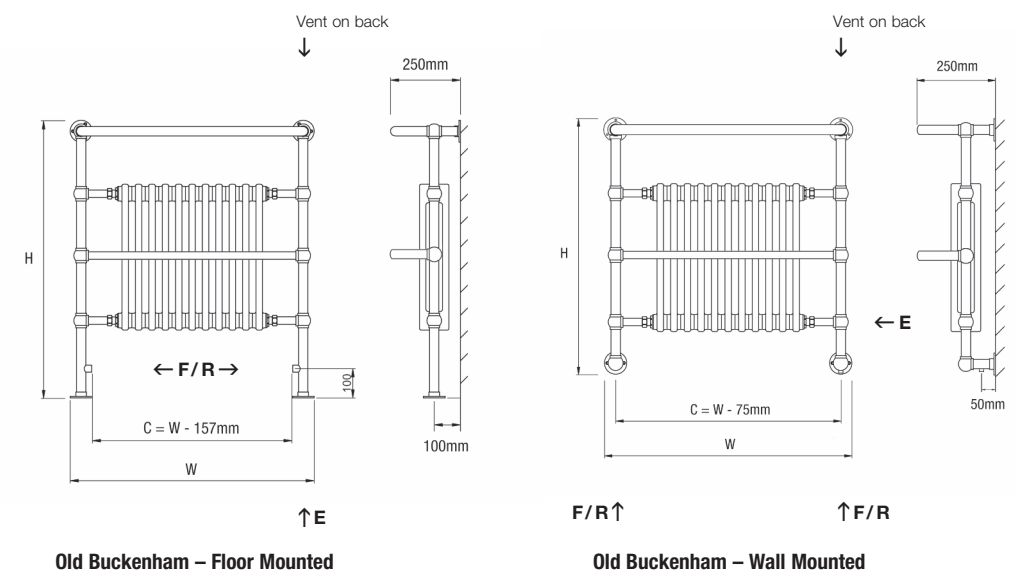
LUXURY

HANDMADE TRADITIONAL TOWEL RAILS

TECHNICAL INFORMATION
STANDARD CONNECTIONS 1/2"

F = Flow **E = Element Position**
R = Return

Tube Diameter = 31.8mm



Model	Height (H) (mm)	Width (W) (mm)	Watts Δt 50°C	Btu's Δt 50°C	Electric Element Wattage	Chrome (inc VAT)	Polished Nickel Brushed Nickel Polished Brass (inc VAT)	Polished Gold Antique Brass (inc VAT)
OLD BUCKENHAM – FLOOR MOUNTED								
Old Buckenham-1	952	500	645	2200	300	£1,213	£1,528	£1,698
Old Buckenham-2	952	685	985	3370	450	£1,329	£1,653	£1,836
Old Buckenham-3	952	837	1328	4531	450	£1,515	£2,046	£2,274
Old Buckenham-4	952	989	1666	6584	600	£1,870	£2,524	£2,805
Old Buckenham-5	1496	500	1120	3822	450	£1,963	£2,651	£2,947
OLD BUCKENHAM – WALL MOUNTED								
Old Buckenham-1 W	789	500	645	2200	300	£1,131	£1,528	£1,698
Old Buckenham-2 W	789	685	985	3370	450	£1,225	£1,653	£1,836
Old Buckenham-3 W	789	837	1328	4531	450	£1,515	£2,046	£2,274

VALVES & ACCESSORIES
(Please see pages 138-148)

TRADITIONAL VERSIONS:

- ELECTRIC OPTION + £252
- DUAL FUEL OPTION + £205
- COLOURED RADIATOR INSERT + £200
- ELEMENT COVER + £168